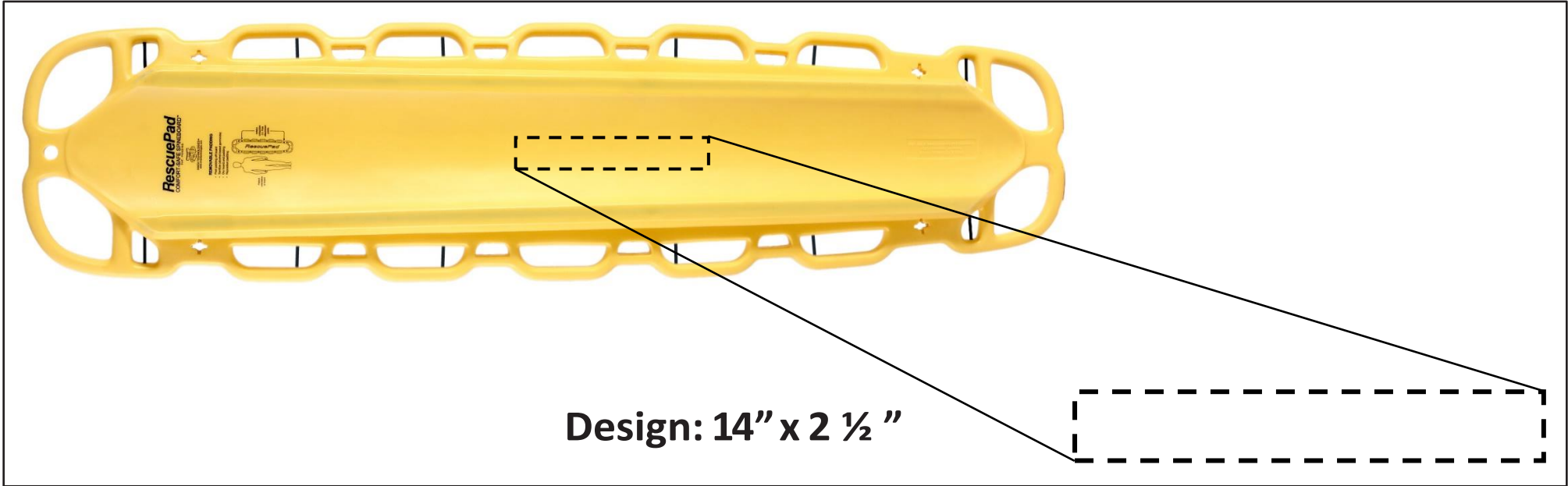


# Artwork Approval

Phone 603-290-1440 [www.RescuePad.com](http://www.RescuePad.com)

Fax or Email Artwork Approval Form to: Fax 855-559-4657 [info@RescuePad.com](mailto:info@RescuePad.com)



Item # \_\_\_\_\_ Quantity \_\_\_\_\_

Spineboard color \_\_\_\_\_ Ink Color: **Black**

Customer \_\_\_\_\_

PO# \_\_\_\_\_ WO# \_\_\_\_\_

Order Date \_\_\_\_\_

Ship To \_\_\_\_\_

Art Work: NEW OLD (Circle One)

Special Instructions:

\_\_\_\_\_  
\_\_\_\_\_

## \* Approved By

RescuePad.com requires this form be reviewed and signed by the end user. The party who signs this document acknowledges that it is correct and bears all responsibility. If the artwork is not correct do not sign. Please indicate corrections above. Please feel free to contact RescuePad.com customer Service with any questions or concerns.

Print Name: \_\_\_\_\_ Date: \_\_\_\_\_

Signature: \_\_\_\_\_